



SAP 012-108 DIN is a series of light weight casing piston pumps with a fixed displacement for demanding mobile hydraulics.

SAP 012-108 DIN covers the displacement range 12-108 cm³/rev. at a maximum pressure of 400 bar. It is a modern, compact pump which meets the market's high demands on flow performance, pressure, efficiency and small installation dimensions. The pump is either mounted directly on the power take-off or on a frame bracket via an intermediate shaft.

Other advantages:

- Light weight metal casing design
- Smooth operation over the entire speed range
- Long life due to high demands on material selection, such as bearings, seals, etc
- Corrosion free light metal-housing
- Less heat generation due to better ability to dissipate heat through housing

Versions, main data

Example

SA	P	-	084	L	-	N	-	DL4	-	L35	-	S0	S	-	0	00
Line	1		2	3		4		5		6		7	8		9	10

Line	
SA	Sunfab Aluminium
P	Pump

2. Displacement	
012	017 025 034 040 047 056 064 084 108

3. Direction of rotation	
R	Right
L	Left

4. Sealing	
N	Nitrile
V	HNBR *

* Only available for 040-108

5. Mounting flange	
DL4	DIN 4-h (ISO 7653D)

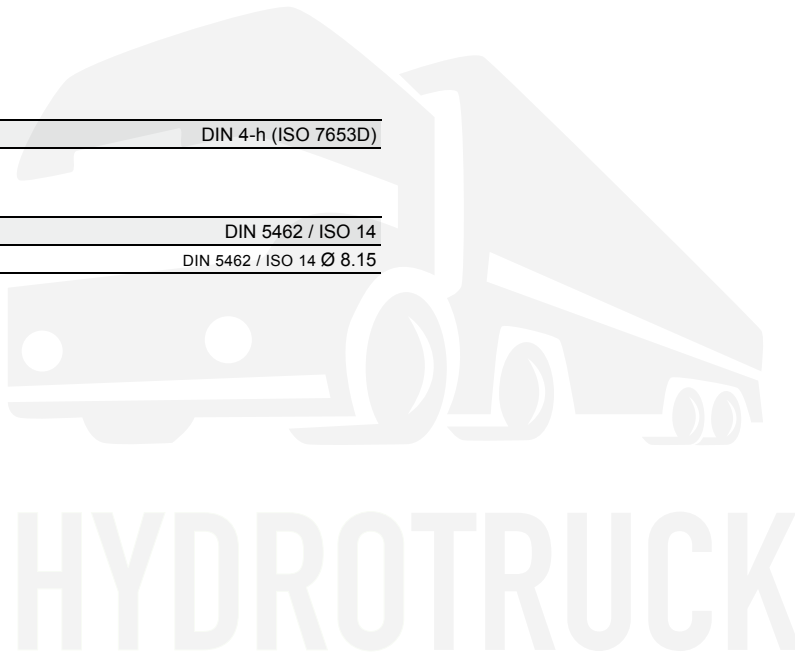
6. Shaft	
L35	DIN 5462 / ISO 14
H35	DIN 5462 / ISO 14 Ø 8.15

7.	
S0	40° Sunfab standard

8. Connections	
S	Sunfab standard

9. Additional	
0	-

10. Accessories	
00	No accessories available



HYDROTRUCK



www.hydrotruck-cerpadla.cz
info@hydrotruck.cz

Hydrotruck s.r.o.
 Tovačovská 3457/4a
 750 02, Přerov
 Česká republika

SAP 012-108 DIN		012	017	025	034	040	047	056	064	084	108	
Theoretical oil flow l/min at pump speed	rpm	500	6.3	8.5	12.7	17.1	20.6	23.5	28.0	31.8	41.5	54.0
		1000	12.6	17.0	25.4	34.2	41.2	47.1	56.0	63.6	83.6	108.0
		1500	18.9	25.5	38.1	51.3	61.8	70.6	84.0	95.4	125.4	162.0
Displacement	cm ³ /rev	12.6	17.0	25.4	34.2	41.2	47.1	56.0	63.6	83.6	108.0	
Max pump speed												
continuous	rpm	2300	2300	2300	2300	1900	1900	1900	1900	1600	1600	
		3000	3000	3000	3000	2500	2500	2500	2500	2100	2100	
limited												
Max working pressure	bar	400	400	400	400	400	400	400	400	400	400	
Weight	kg	6.9	6.9	7.1	7.1	9.8	9.8	9.8	9.8	13.9	13.9	
Tare-weight torque (M)	Nm	6.0	6.0	6.5	6.5	11.5	11.5	11.5	11.5	18.0	18.0	
Direction of rotation	Left (L) or Right (R)											



HYDROTRUCK



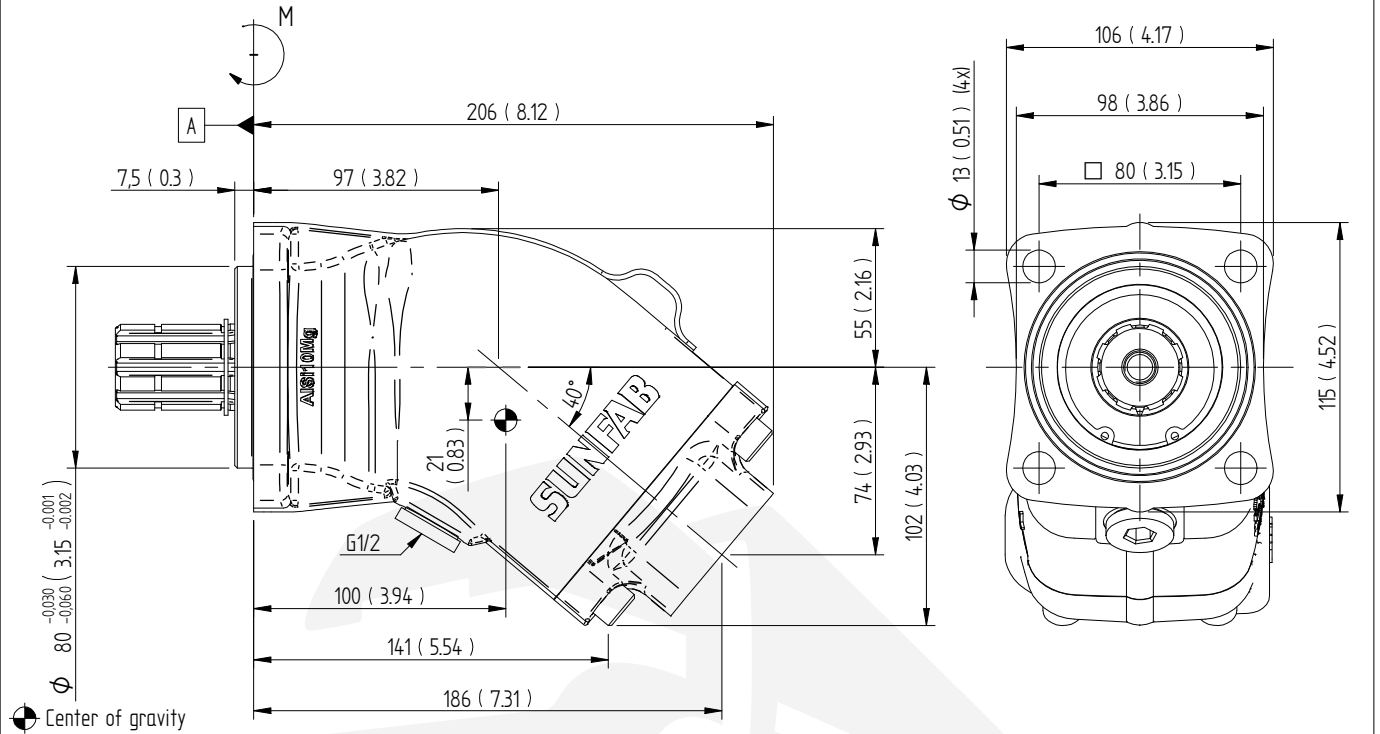
www.hydrotruck-cerpadla.cz
info@hydrotruck.cz

Hydrotruck s.r.o.
Tovačovská 3457/4a
750 02, Přerov
Česká republika

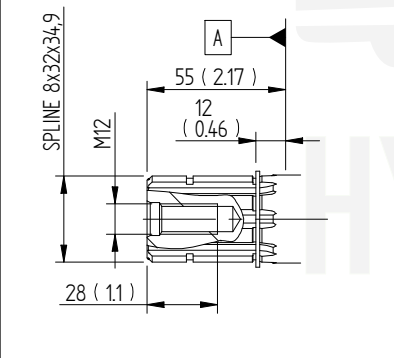
Dimensions SAP 012-034 DIN

Millimeter (inch)

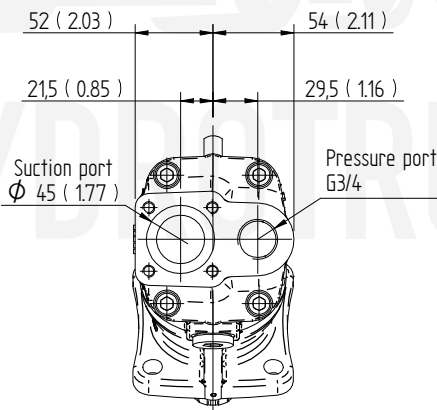
DL4 ISO 7653-D



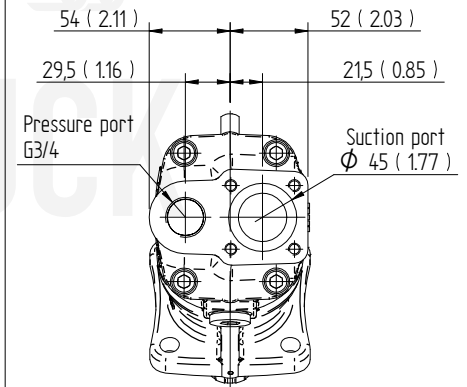
L35 DIN 5462 / ISO 14



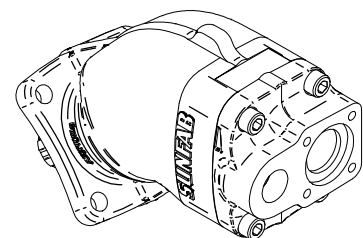
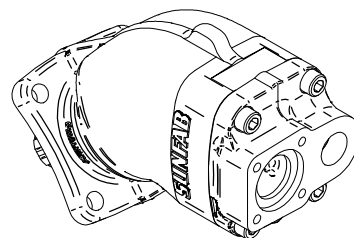
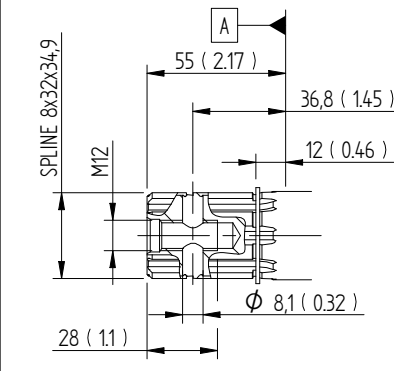
S0S Left rotation (L)



S0S Right rotation (R)



H35 DIN 5462 / ISO 14

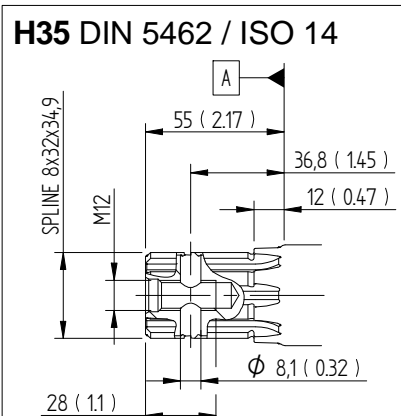
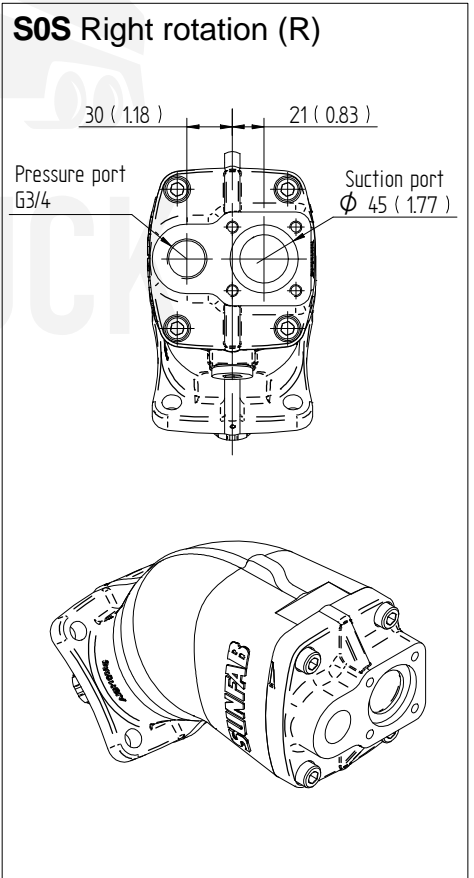
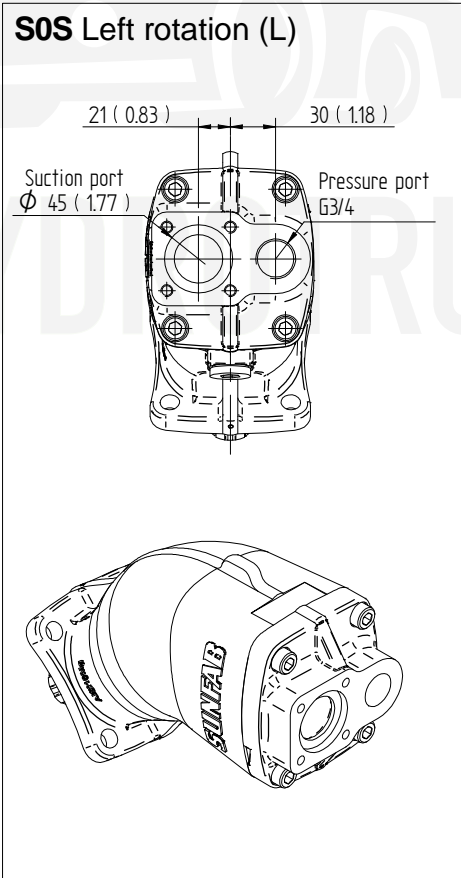
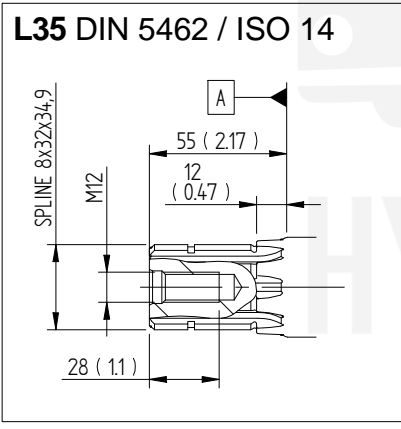
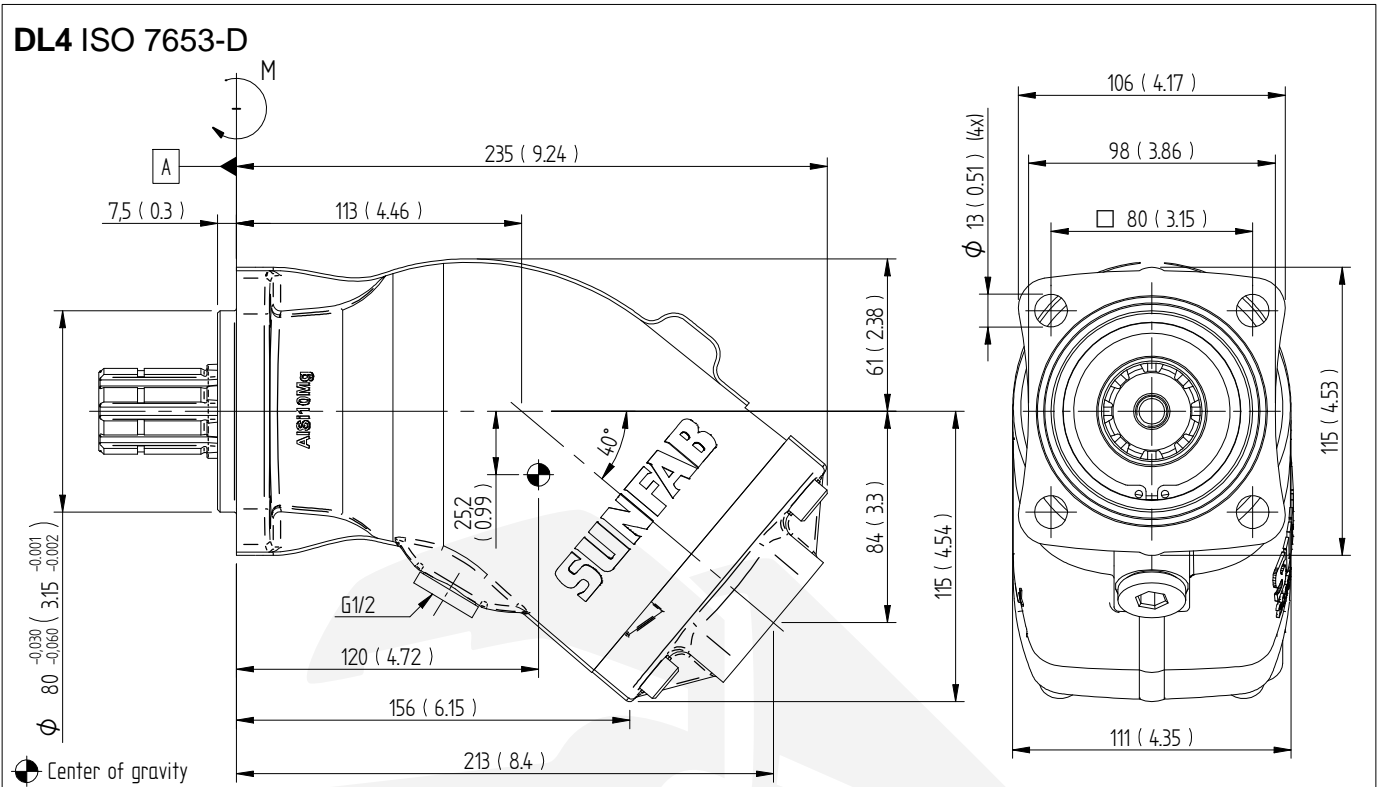


www.hydrotruck-cerpadla.cz
info@hydrotruck.cz

Hydrotruck s.r.o.
 Tovačovská 3457/4a
 750 02, Přerov
 Česká republika

Dimensions SAP 040-064 DIN, SAPT 090 DIN

Millimeter (inch)

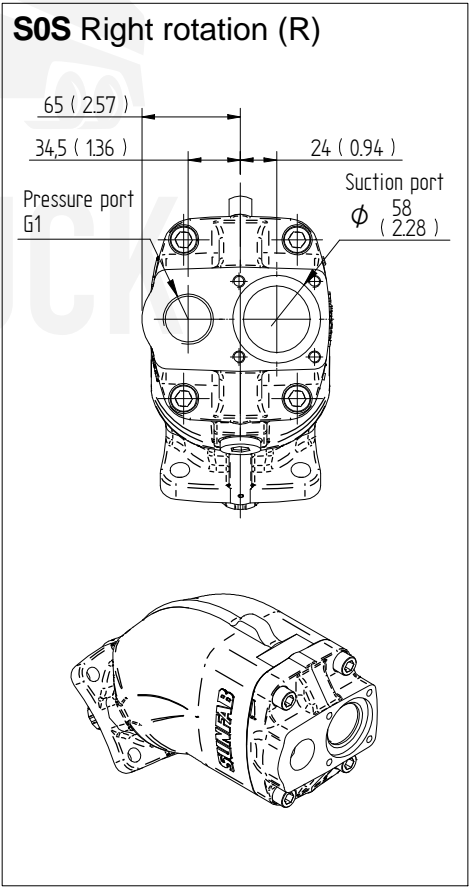
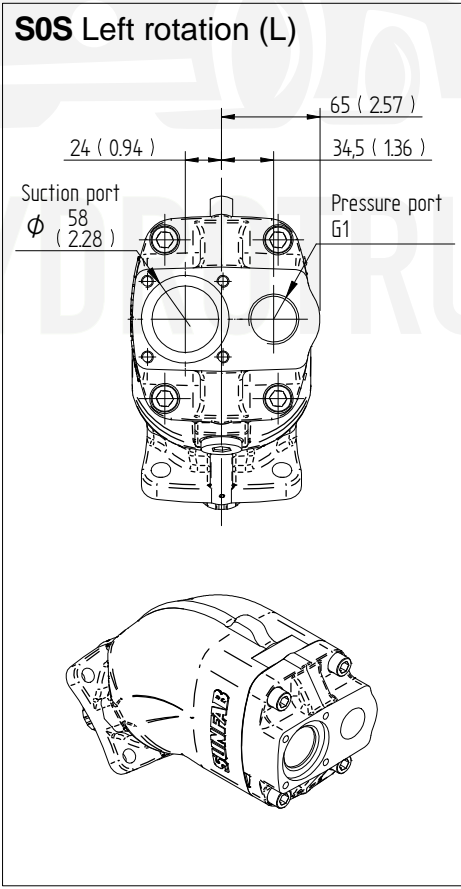
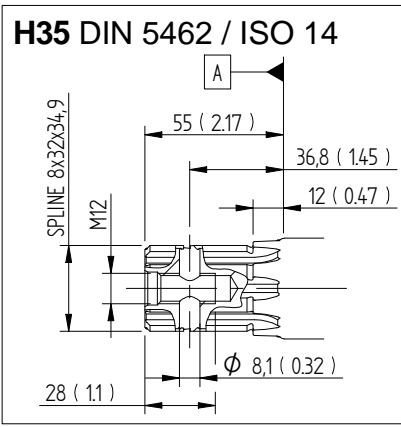
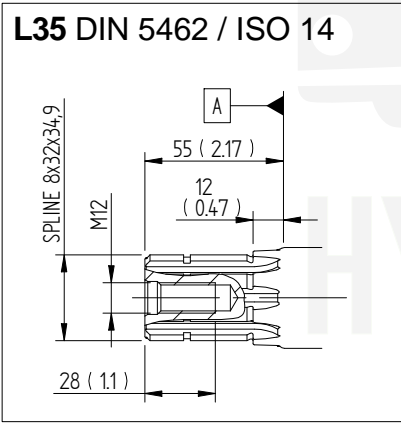
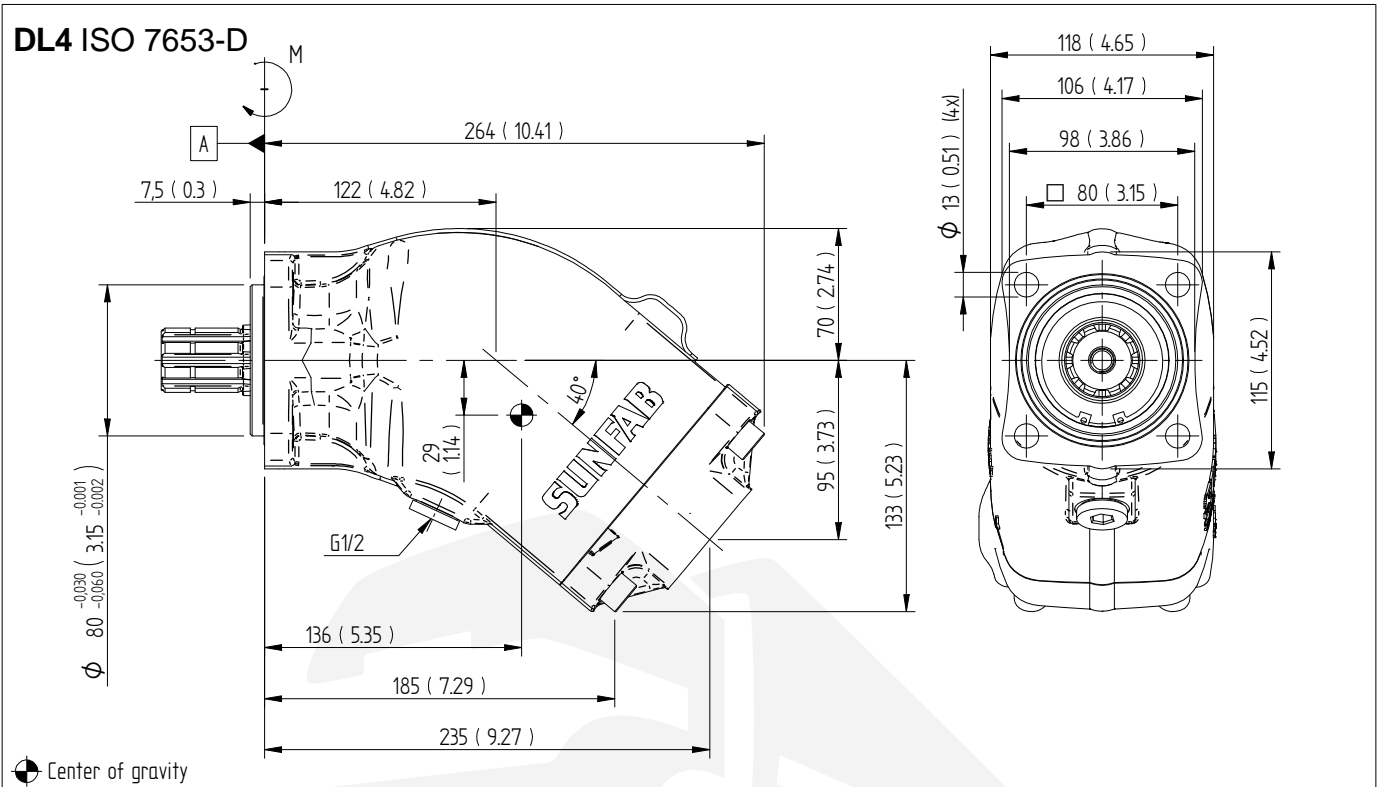


www.hydrotruck-cerpadla.cz
info@hydrotruck.cz

Hydrotruck s.r.o.
 Tovačovská 3457/4a
 750 02, Přerov
 Česká republika

Dimensions SAP 084-108 DIN, SAPT 130 DIN

Millimeter (inch)



www.hydrotruck-cerpadla.cz
info@hydrotruck.cz

Hydrotruck s.r.o.
 Tovačovská 3457/4a
 750 02, Přerov
 Česká republika



HYDROTRUCK



WARNING!

When the pump is running:

1. Do not touch the pressure hose
2. Watch out for rotating parts
3. The pump and hoses may be hot

Sunfab reserves the right to make changes in design and dimensions without notice. Printing and typesetting errors reserved.

© Copyright 2019 Sunfab Hydraulics AB. All Rights Reserved.



www.hydrotruck-cerpadla.cz
info@hydrotruck.cz

Hydrotruck s.r.o.
Tovačovská 3457/4a
750 02, Přerov
Česká republika