

F1 Pump

F1-ISO



| Contents | Page | Chapter |
|---|------|---------|
| Pump and Line selection | 12 | 2 |
| F1-25 to -101, ISO..... | 23 | |
| Specifications and pump cross section | 23 | |
| Installation Dimensions, F1-25, -41, -51 and -61..... | 24 | |
| Ordering code and standard versions | 24 | |
| Installation Dimensions F1-81 and -101 | 25 | |
| Port size and standard versions | 25 | |

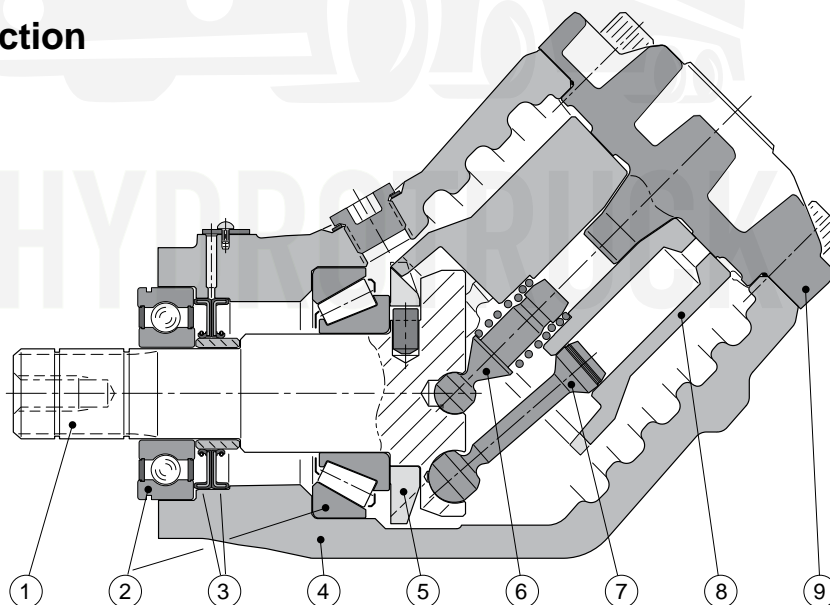
F1-25 to -101, ISO Specifications

| Frame size F1- | 25 | 41 | 51 | 61 | 81 | 101 |
|---|---------|---------|---------|---------|---------|---------|
| Displacement [cm ³ /rev] | 25.6 | 40.9 | 51.1 | 59.5 | 81.6 | 102.9 |
| Max flow ¹⁾ [l/min] | 78 | 104 | 125 | 143 | 180 | 216 |
| Max operating pressure [bar] | 400 | 400 | 400 | 400 | 400 | 400 |
| Mass moment of inertia J [kgm ²] | 0,00274 | 0,00266 | 0,00261 | 0,00257 | 0,00532 | 0,00524 |
| Shaft speed [rpm] | | | | | | |
| - short circuited pump (low press.) | 3100 | 2700 | 2700 | 2700 | 2300 | 2300 |
| - max selfpriming speed ²⁾ | 3050 | 2550 | 2450 | 2400 | 2200 | 2100 |
| Torque ¹⁾ [Nm] | 163 | 260 | 324 | 378 | 518 | 653 |
| Max input power ³⁾ [kW] | 45 | 61 | 73 | 83 | 105 | 126 |
| Weight [kg] | 8.5 | 8.5 | 8.5 | 8.5 | 12.5 | 12.5 |

- 1) Theoretical values
- 2) Valid at an inlet pressure of 1.0 bar (abs.) when operating on mineral oil at a viscosity of 30 mm²/s (cSt).
- 3) Max 6 seconds in any one minute.

NOTE: For noise level information, contact Parker Hannifin

Pump cross section



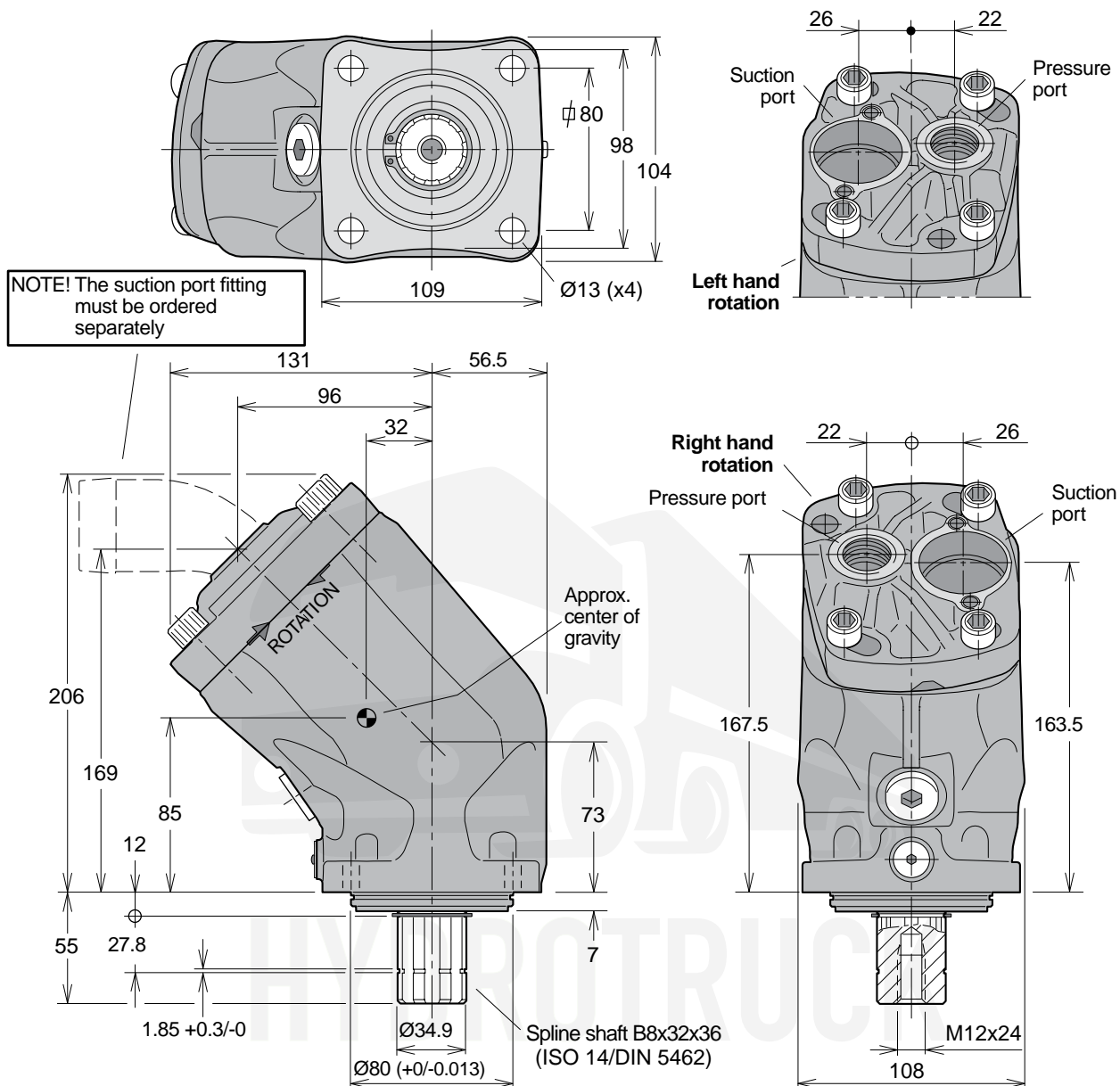
- | | | |
|----------------|-------------------|----------------------------|
| 1. Input shaft | 4. Housing | 7. Piston with piston ring |
| 2. Bearings | 5. Timing gear | 8. Cylinder barrel |
| 3. Shaft seals | 6. Barrel support | 9. End cap |



www.hydrotruck-cerpadla.cz
info@hydrotruck.cz

Hydrotruck s.r.o.
 Tovačovská 3457/4a
 750 02, Přerov
 Česká republika

F1-25, -41, -51 and -61



Ordering code

Example: **F1- 81 - R**

F1 frame size
25, 41, 51, 61, 81 or 101

Shaft rotation
R Right hand
L Left hand

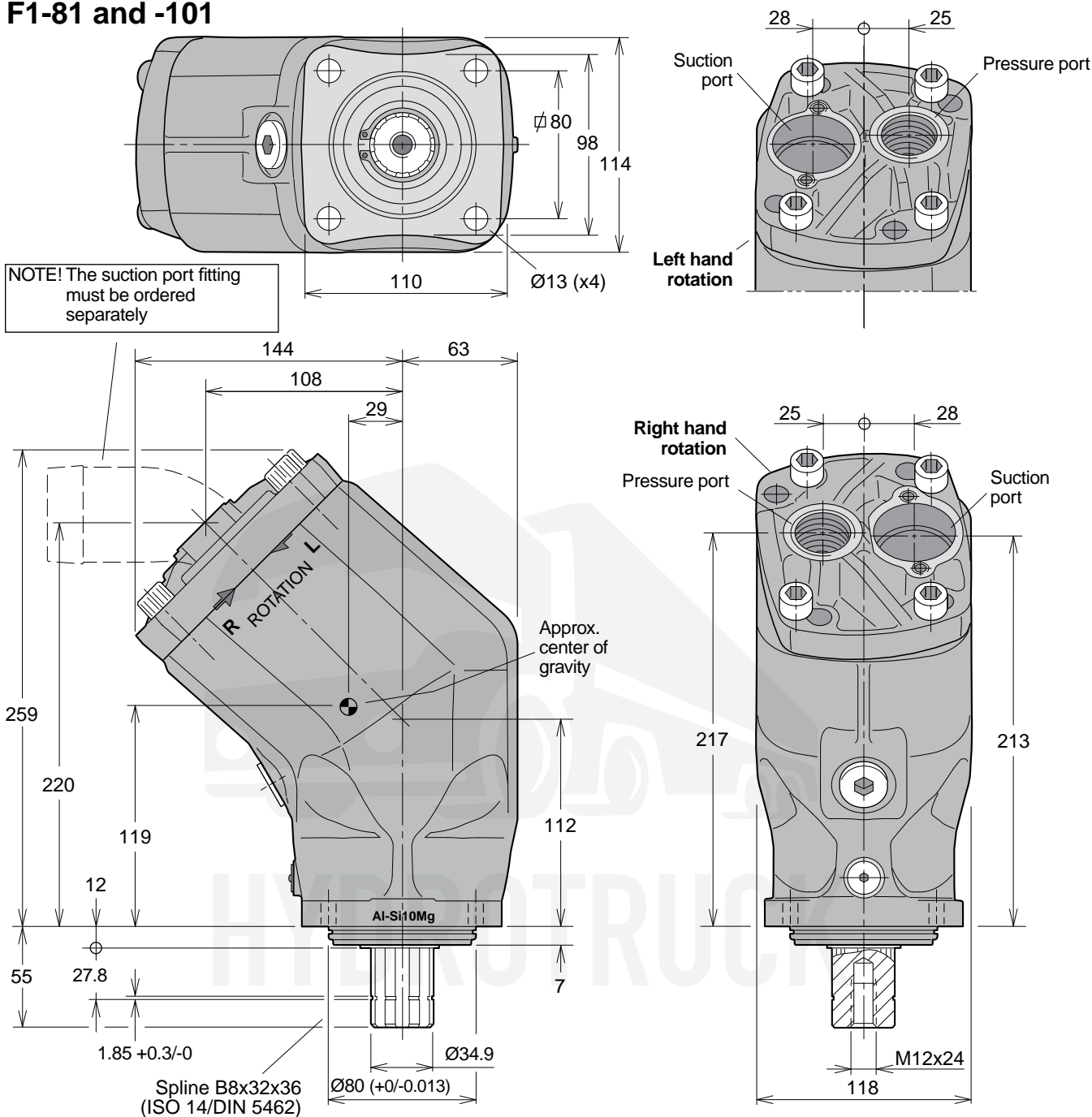
NOTE: The pump **does not** include a suction fitting; it must be ordered separately. See chapter 11.

Standard versions

| Designation | Ordering no. |
|-------------|--------------|
| F1-25-R | 378 1024 |
| F1-25-L | 378 1025 |
| F1-41-R | 378 1040 |
| F1-41-L | 378 1041 |
| F1-51-R | 378 1050 |
| F1-51-L | 378 1051 |
| F1-61-R | 378 1060 |
| F1-61-L | 378 1061 |



F1-81 and -101



4

Port size

| F1 frame size | Pressure port 1) |
|---------------|------------------|
| -25 | 3/4" |
| -41 | 3/4" |
| -51 | 3/4" |
| -61 | 3/4" |
| -81 | 1" |
| -101 | 1" |

1) BSP thread (fitting not included)

Standard versions

| Designation | Ordering no. |
|-------------|--------------|
| F1-81-R | 378 1080 |
| F1-81-L | 378 1081 |
| F1-101-R | 378 1100 |
| F1-101-L | 378 1101 |

NOTE: The pump **does not** include a suction fitting; it must be ordered separately. See chapter 11.



www.hydrotruck-cerpadla.cz
 info@hydrotruck.cz

Hydrotruck s.r.o.
 Tovačovská 3457/4a
 750 02, Přerov
 Česká republika