

SUPPORTI POMPA ISO ISO PUMP ADAPTORS

CODICE FAMIGLIA
FAMILY CODE

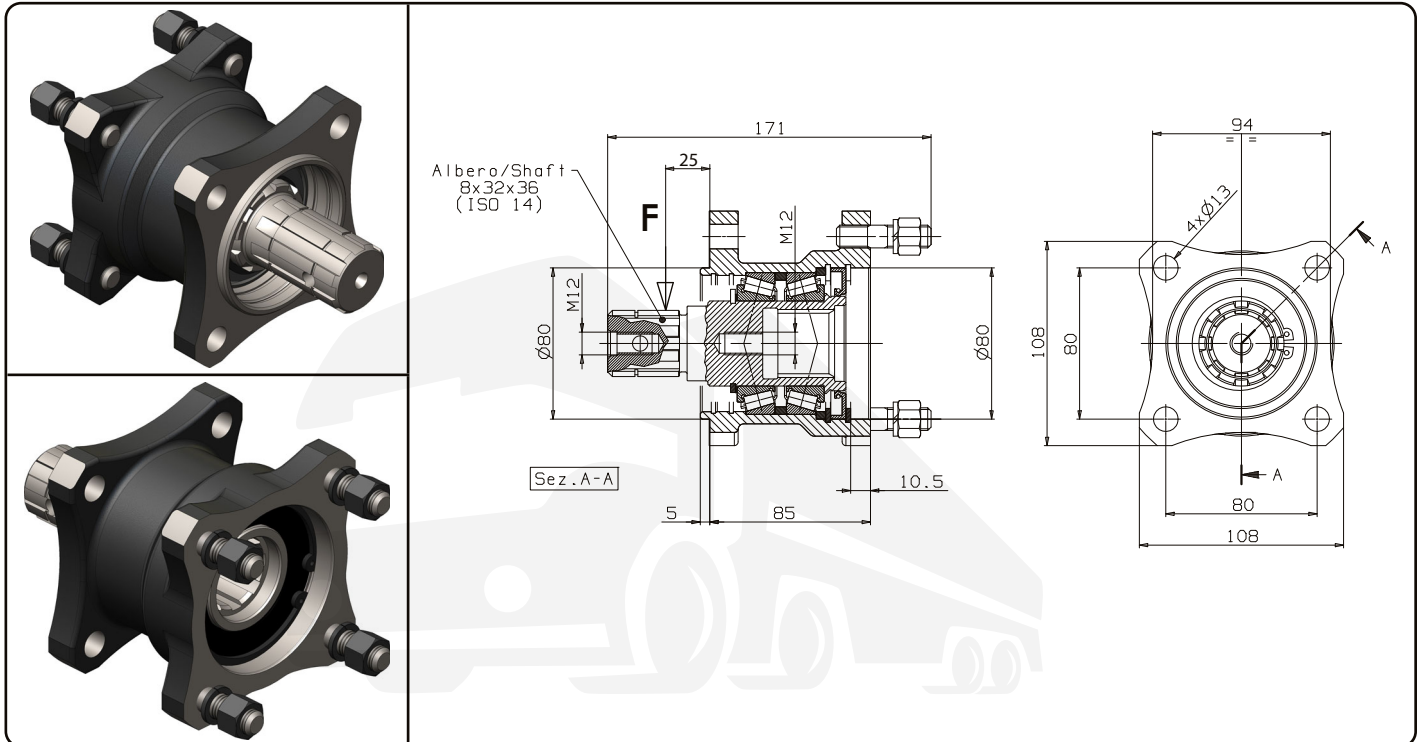
103005

10300500079

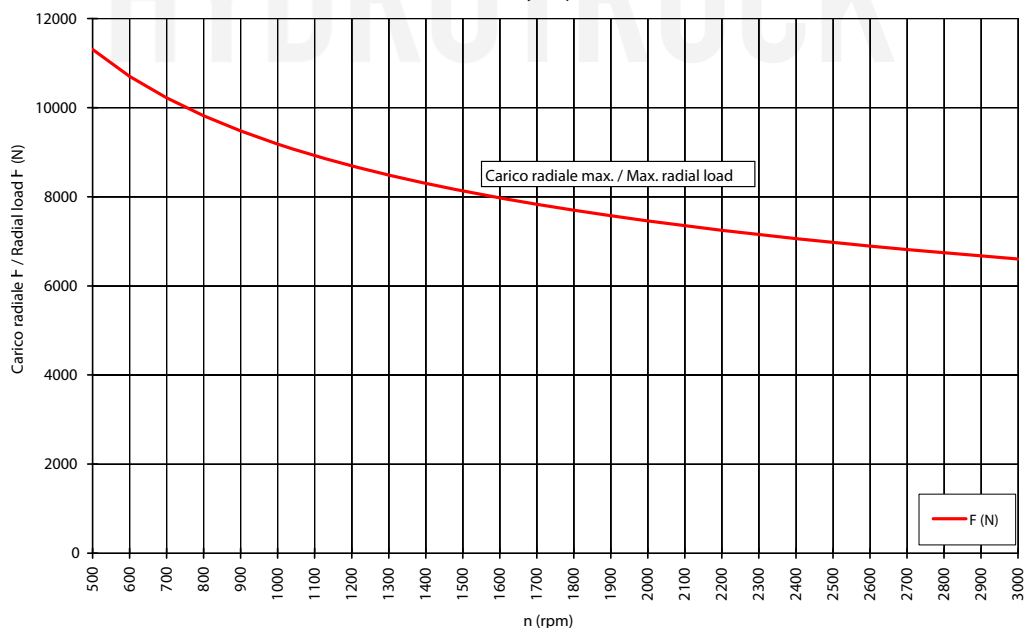
Supporto pompa ISO maschio/femmina L=85 mm
ISO pump adaptor male/female L=85 mm



COPPIA MAX. 1000 Nm (senza carico radiale applicato all'albero)
MAX. TORQUE 1000 Nm (without radial load on shaft)



Massimo carico radiale applicabile all'albero (**F**).
Max. radial load on shaft (**F**).



13/05/2021

99710350060 Rev: AN



www.hydrotruck.cz
info@hydrotruck.cz

Hydrotruck s.r.o.
Tovačovská 3457/4a
750 02, Přerov
Česká republika

COMPANY WITH
QUALITY SYSTEM
CERTIFIED BY DNV GL
= ISO 9001:2015 =