








SERBATOI COMPLETI POMPE A MANO TANKS ASSEMBLY HAND PUMPS

CODICE FAMIGLIA
FAMILY CODE


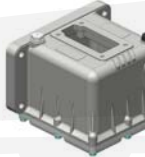


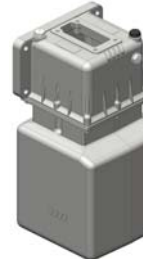
106-800

SERBATOI TANKS







ALLUMINIO/PLASTICA - ALUMINIUM/PLASTIC

						
1 litro / 1 litre	2 litri / 2 litres	3 litri / 3 litres	4 litri / 4 litres	5 litri / 5 litres	7 litri / 7 litres	10 litri / 10 litres
CODICE DI ORDINAZIONE ORDER CODE		CAPACITÀ CAPACITY	DESCRIZIONE DESCRIPTION			PESO WEIGHT
106-800-00105		1	SRB. CMP. PM S/1/ TANK 1 LT			1,2
106-800-00025		2	SRB. CMP. PM S/2/ TANK 2 LT			1,8
106-800-00034		3	SRB. CMP. PM S/3/ TANK 3 LT			1,9
106-800-00040		4	SRB. CMP. PM S/4/ TANK 4 LT			1,9
106-800-00043		5	SRB. CMP. PM S/5/ TANK 5 LT			2
106-800-00052		7	SRB. CMP. PM S/7/ TANK 7 LT			2,4
106-800-00061		10	SRB. CMP. PM S/10/ TANK 10 LT			2,9

ALLUMINIO - ALUMINIUM

					
1 litro / 1 litre	2 litri / 2 litres	3 litri / 3 litres	5 litri / 5 litres	10 litri / 10 litres	
CODICE DI ORDINAZIONE ORDER CODE		CAPACITÀ CAPACITY	DESCRIZIONE DESCRIPTION		PESO WEIGHT
106-800-00016		1	SRB. CMP. PM S/1/ TANK 1 LT		1,2
106-800-00203		2	SRB. CMP. PM S/2/ TANK 2 LT		1,9
106-800-00301		3	SRB. CMP. PM S/3/ TANK 3 LT		2
106-800-00507		5	SRB. CMP. PM S/5/ TANK 5 LT		2,5
106-800-01006		10	SRB. CMP. PM S/10/ TANK 10 LT		5,2

ACCIAIO - STEEL

						
1 litro / 1 litre	2 litri / 2 litres	3 litri / 3 litres	5 litri / 5 litres	7 litri / 7 litres	10 litri / 10 litres	
CODICE DI ORDINAZIONE ORDER CODE		CAPACITÀ CAPACITY	DESCRIZIONE DESCRIPTION			PESO WEIGHT
106-800-10014		1	SRB. CMP. PM S/1/ TANK 1 LT			2,1
106-800-10023		2	SRB. CMP. PM S/2/ TANK 2 LT			2,8
106-800-10032		3	SRB. CMP. PM S/3/ TANK 3 LT			3,5
106-800-10050		5	SRB. CMP. PM S/5/ TANK 5 LT			4,6
106-800-10078		7	SRB. CMP. PM S/7/ TANK 7 LT			5,7
106-800-10103		10	SRB. CMP. PM S/10/ TANK 10 LT			7,5

Codice fascicolo: 997-400-10610

Data: Giovedì 14 settembre 2017

Codice foglio: 997-106-80010 Rev: A1

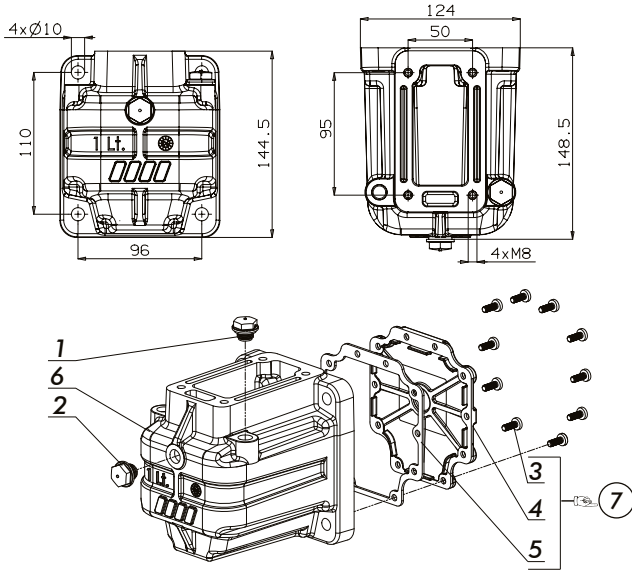


www.hydrotruck.cz
info@hydrotruck.cz

Hydrotruck s.r.o.
Tovačovská 3457/4a
750 02, Přešov
Česká republika

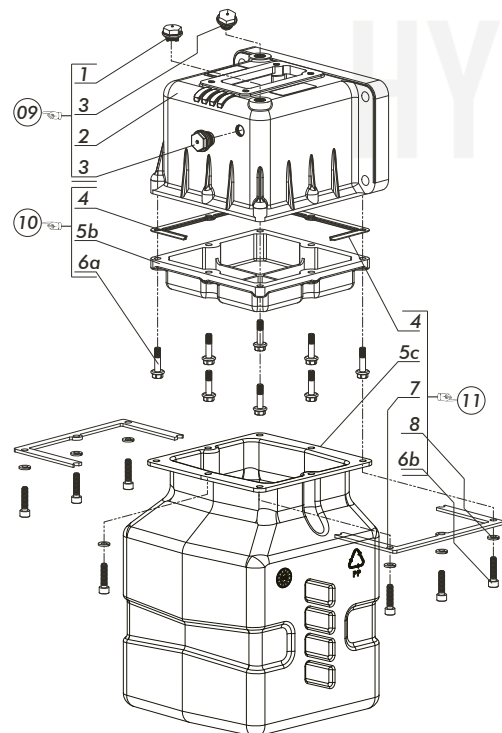
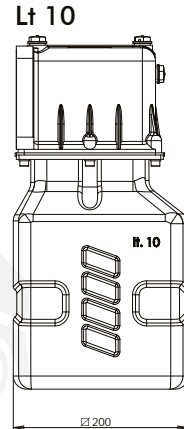
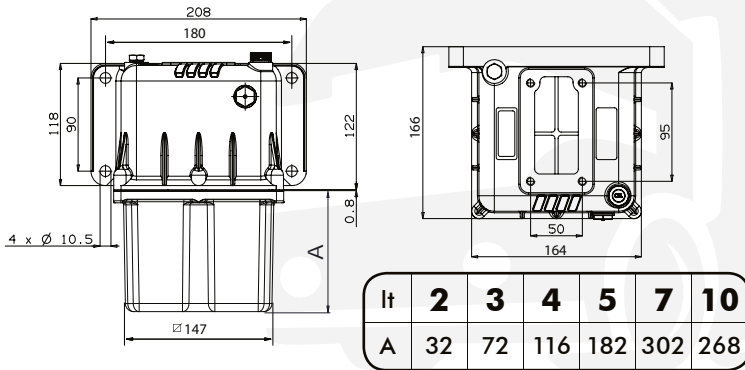
COMPANY WITH
QUALITY SYSTEM
CERTIFIED BY DNV GL
= ISO 9001:2015 =

SERBATOIO/Tank 1 LITRO/litre



N°	Codice / P. Number		Q.
1	509-005-00131	Tappo sfiato/Breather cap 1/4"	1
2	509-006-00121	Tappo livello/Level cap 1/4"	1
3	502-000-00872	Vite trilobata/Trefoil screw	10
4	509-000-00912	Coperchio plastica/Plastic cover	1
5	506-000-02158	Guarnizione/Gasket	1
6	514-003-00105	Serbatoio/Tank	1
KIT RICAMBIO / KIT'S			
7	106-800-01113	Coperchio completo plastica Complete plastic cover	1

SERBATOI/Tanks 2/3/4/5/7/10 LITRI/litres



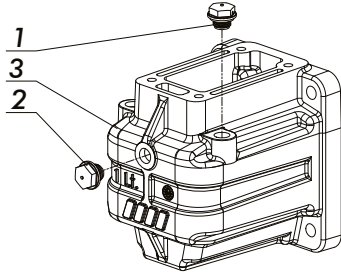
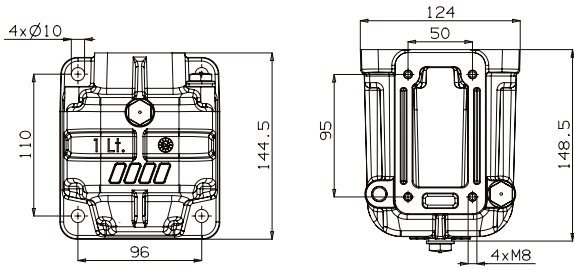
N°	Serbatoio l / tank						Codice P. Number		Q.
	2	3	4	5	7	10			
1	•	•	•	•	•	•	509-005-00131	Tappo sfiato/Breather cap 1/4"	1
2	•	•	•	•	•	•	514-003-00089	Serbatoio/Tank	1
3	•	•	•	•	•	•	509-006-00121	Tappo livello/Level cap 1/4"	2
4	•	•	•	•	•	•	506-000-00463	Guarnizione/Gasket	1
	•						506-000-01435		1
5b		•					514-008-00020	Coperchio serbatoio Tank cover	1
			•				514-008-00039		1
				•			514-008-00048		1
					•		514-008-00057		1
5c					•		514-008-00075		1
6a	•	•	•	•	•	•	514-009-10107		1
6a	•	•	•	•	•	•	502-002-10207	Vite/Screw TE M6x25	8
6b							502-002-00478	Vite/Screw TCE M6x25	8
7							538-000-00331	Staffa supporto/ Mounting brackets	2
8							501-024-00063	Rosetta elastica/ Washer	8
KIT RICAMBIO / KIT'S									
9	•	•	•	•	•	•	106-800-01015	Base per serbatoio/Base for tank	
	•						106-800-01024		
		•					106-800-01033		
10							106-800-01042	Coperchio completo serbatoio Complete tank cover	
							106-800-01051		
							106-800-01060		
11							106-800-01097		

Codice fascicolo: 997-400-10610

Data: Giovedì 14 settembre 2017

Codice foglio: 997-106-80010 Rev: A1

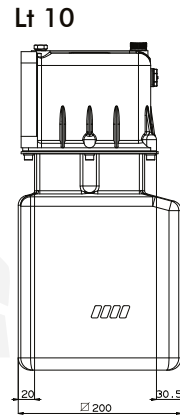
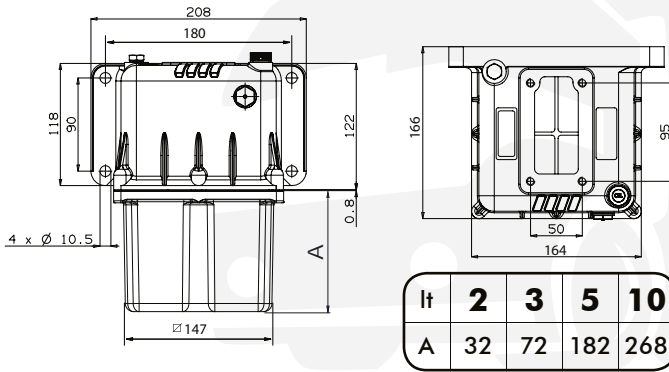
SERBATOIO/Tank 1 LITRO/litre



N°	Codice / P. Number		Q.
1	509-005-00131	Tappo sfiato/Breather cap 1/4"	1
2	509-006-00121	Tappo livello/Level cap 1/4"	1
3	514-003-00098	Serbatoio/Tank	1

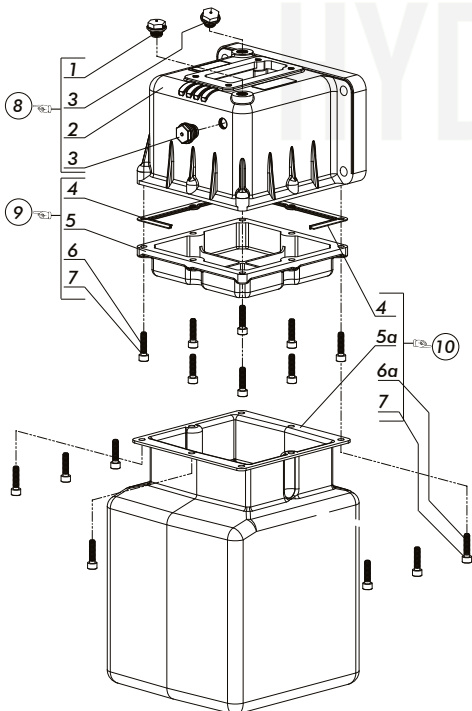
Codice fascicolo: 997-400-10610

SERBATOI/Tanks 2/3/4/5/7/10 LITRI/litres



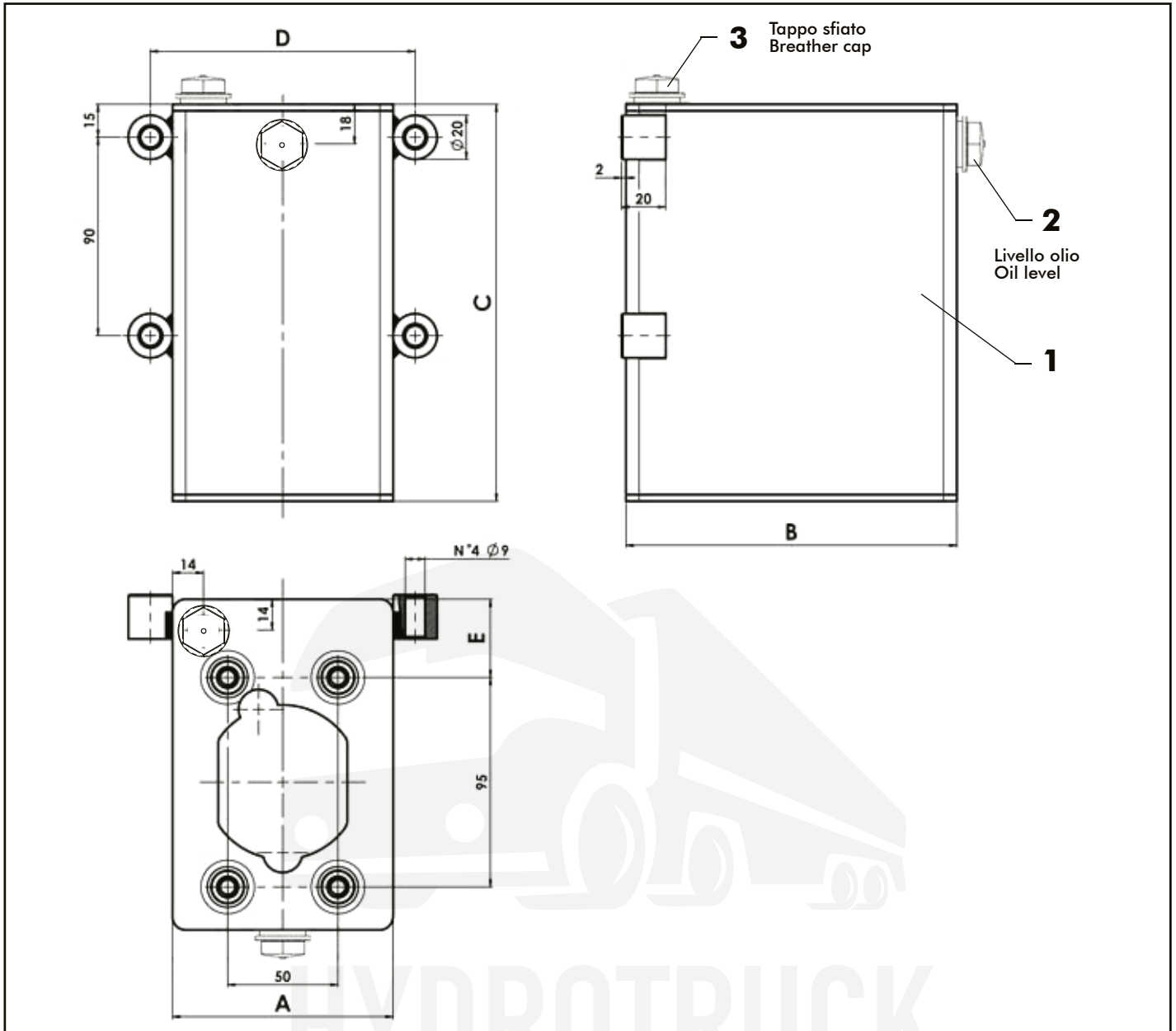
Data: Giovedì 14 settembre 2017

Codice foglio: 997-106-80010 Rev: A1



N°	Serbatoio l / tank				Codice P. Number	Q.	
	2	3	5	10			
1	•	•	•	•	509-005-00131	Tappo sfiato/Breather cap 1/4"	1
2	•	•	•	•	514-003-00089	Serbatoio/Tank	1
3	•	•	•	•	509-006-00121	Tappo livello/Level cap 1/4"	2
4	•	•	•	•	507-003-00431	Guarnizione/Gasket	1
5	•	•	•	•	514-005-00069	Coperchio serbatoio Tank cover	1
	•	•	•	•	514-005-00078		1
5a	•	•	•	•	514-005-00087	Tank cover	1
6	•	•	•	•	514-005-00050		1
6a	•	•	•	•	502-002-00441	Vite/Screw TCE M6x18	8
7	•	•	•	•	502-002-00478	Vite/Screw TCE M6x25	8
	•	•	•	•	501-018-00052	Rosetta elastica/Washer	8
KIT RICAMBIO / KIT'S							
8	•	•	•	•	106-800-01015	Base per serbatoio/Base for tank	
9	•	•	•	•	106-800-02023	Coperchio completo serbatoio Complete tank cover	
	•	•	•	•	106-800-02032		
10	•	•	•	•	106-800-02050		
	•	•	•	•	106-800-02103		





N°	Corpo serbatoio Tank body	Capacità Capacity	A	B	C	D	E
1	514-003-10014	1 lt	100	150	140	120	35,5
	514-003-10023	2 lt	100	150	180	120	35,5
	514-003-10032	3 lt	100	150	247	120	35,5
	514-003-10050	5 lt	175	175	200	195	61
	514-003-10078	7 lt	175	175	269	195	61
	514-003-10103	10 lt	175	175	376	195	61

N°	Codice Code	Q.tà Q.ty
2	509-004-00098 Livello olio / Oil level	1
3	509-005-00131 Tappo sfiato / Breather cap	1

Trattamento superficiale: verniciatura elettrolitica poliesteri
Colore: nero RAL 9005 semiopaco

Protective treatment: electrolytic polyester coating
Color: Black RAL 9005



www.hydrotruck.cz
info@hydrotruck.cz

Hydrotruck s.r.o.
Tovačovská 3457/4a
750 02, Přerov
Česká republika

COMPANY WITH
QUALITY SYSTEM
CERTIFIED BY DNV GL
= ISO 9001:2015 =