

**PRESA DI FORZA A
COMANDO MECCANICO
MECHANICAL CLUTCH
POWER TAKE-OFF**

CODICE PTO
PTO CODE

00107100137

CAMBIO
GEARBOX

IVECO

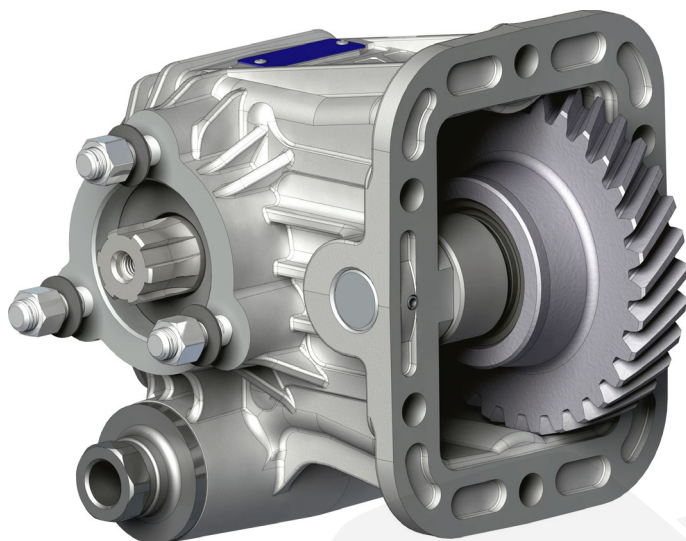
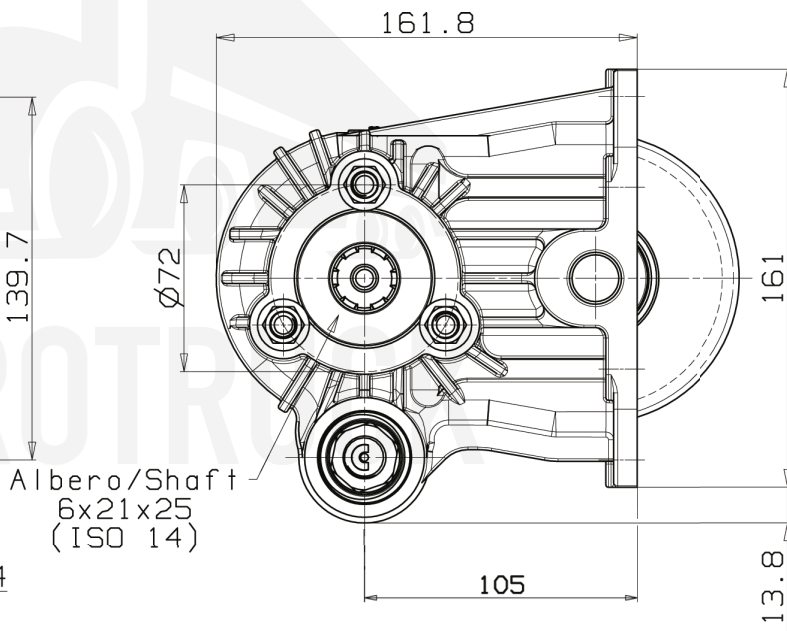
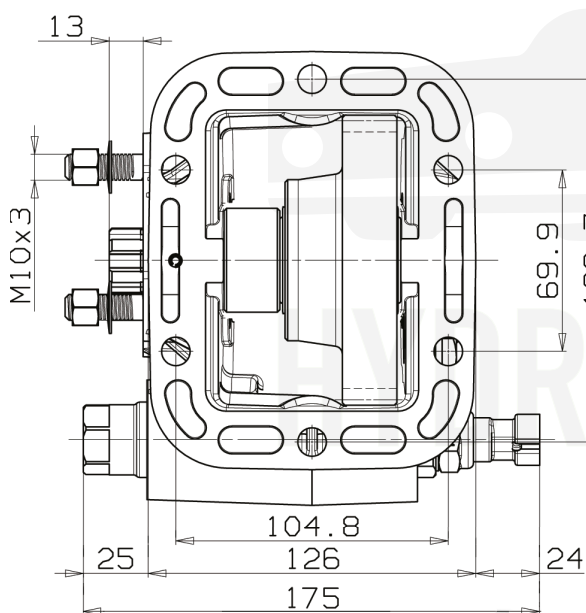
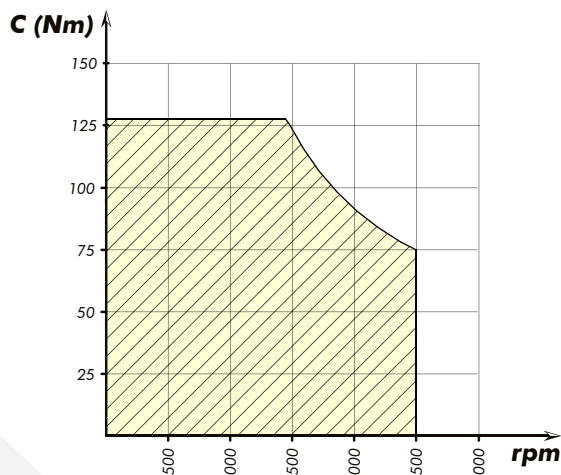


DIAGRAMMA DI UTILIZZO
WORKING CONDITION



04/04/2022

99720107113 Rev: AA

| Tipo cambio Gearbox | Codice PTO PTO code | Versione Version | Giri pto a 1000 giri motore Pto ratio@1000 eng.rpm | Coppia massima Max torque | Lato montaggio Mounting side | Uscita Output | Rotazione Rotation | Kit di montaggio Mounting kit | Peso Weight |
|---------------------------|------------------------|---------------------|----------------------------------------------------------|------------------------------|------------------------------------|------------------|-----------------------|----------------------------------------|----------------|
| | | | rpm | Nm | | | | | Kg |
| 2840.6 MY 2011 | 00107100137 | 13 | 1077 | 130 | Sx Left | Poster. Rear | Orar. Cw | 15400303133 | 6,7 |
| FT 50.6 | | | | | | | | | |



www.hydrotruck.cz
info@hydrotruck.cz

Hydrotruck s.r.o.
Tovačovská 3457/4a
750 02, Přerov
Česká republika

COMPANY WITH
QUALITY SYSTEM
CERTIFIED BY DNV GL
= ISO 9001:2015 =